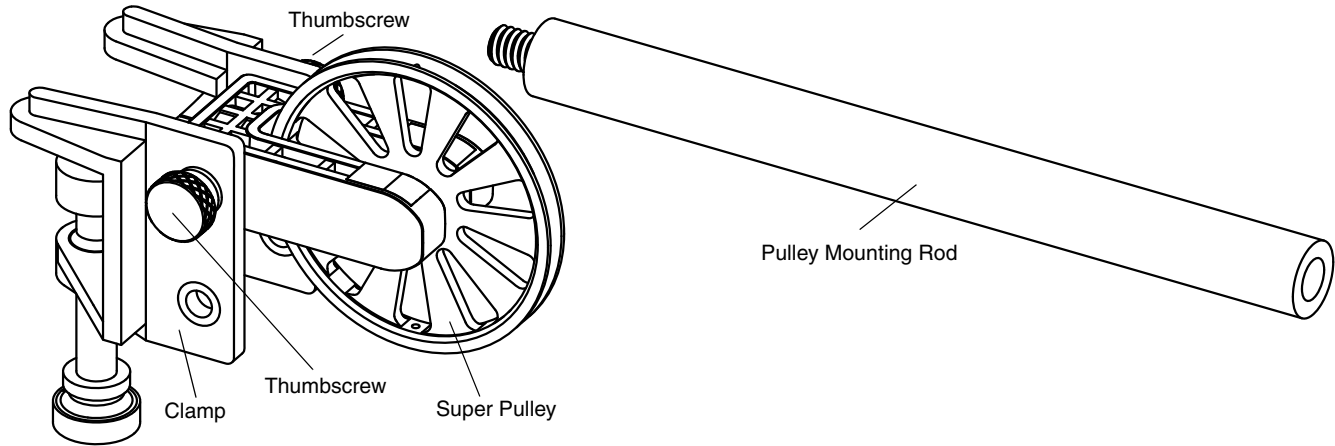




Super Pulley Kit

ME-9433



Introduction

The ME-9433 Super Pulley Kit consists of the ME-9448B Super Pulley with Clamp and a Pulley Mounting Rod.

The Super Pulley with Clamp is designed to be used whenever an integral clamp that features the low friction characteristics of the PASCO Super Pulley is needed. The clamp has two positions for attaching the Super Pulley. The pulley can be moved from one position to the other by removing two thumbscrews on either side of the clamp. Once the pulley is in the desired position, replace the thumbscrews to hold the pulley in place.

Specifications

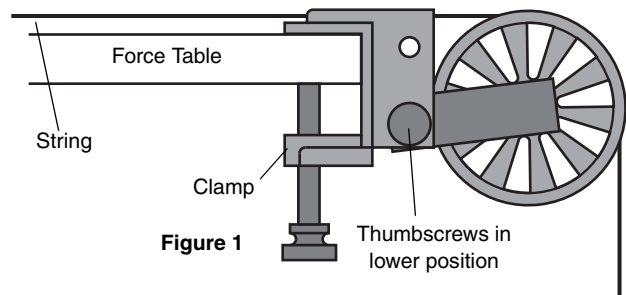
The Super Pulley with Clamp fits tables up to 1.905 cm ($\frac{3}{4}$ ") thick.

Pulley specifications:

Diameter	5.1 cm (2 inches)
Outside circumference	16 cm (6.3 inches)
Groove circumference	15 cm (5.9 inches)
Mass	5 g (0.005 kg)
Moment of inertia (approx.)	$1.86 \times 10^{-6} \text{ kg m}^2$

Helpful Hints

When using the Super Pulley with Clamp on a force table,* keep strings as close and parallel to the surface of the table as possible. See Figure 1..



Strings should also remain parallel when using the Super Pulley with Clamp on inclined planes*, tracks*, or any table that might be used for demonstration. See Figure 2.

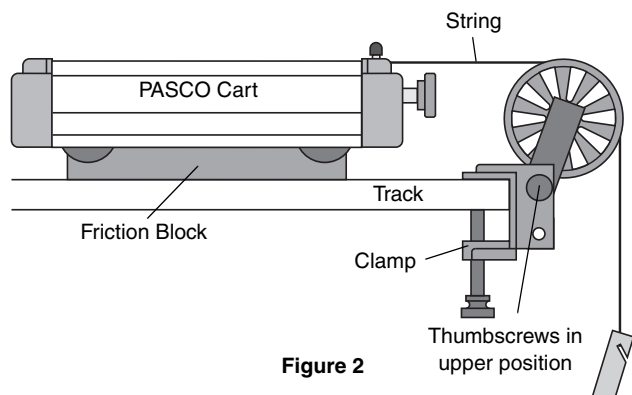


Figure 2

*See the PASCO catalog or web site at www.pasco.com for more information.

Usage

The Super Pulley with Clamp is included in several PASCO systems and is designed to work with a variety of PASCO equipment. The following is a list of some of the systems.

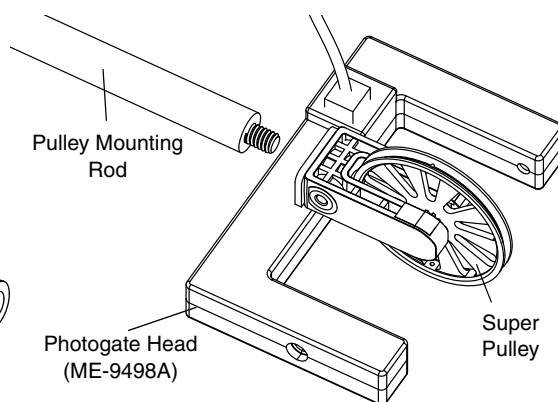
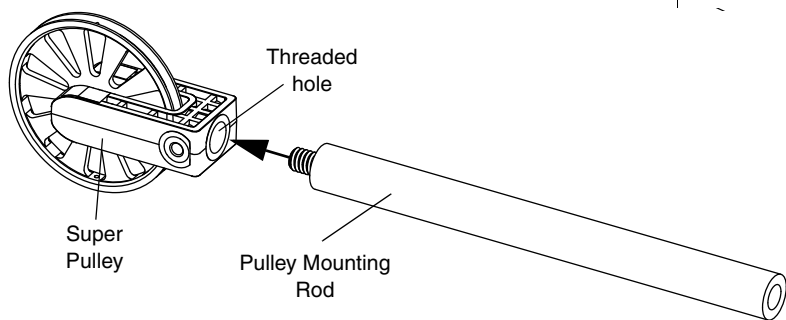
Systems

- Centripetal Force Accessory Kit (ME-8952)
- Mini-Rotational Accessory (CI-6691)
- PAStack Standard Dynamics System (ME-6961)
- Inclined Plane Dynamics Set (ME-6966)
- Physics Structures Set (ME-6989)
- 1.2 m and 2.2 m Classic Dynamics Systems
- 1.2 m and 2.2 m PAScar Dynamics Systems

Pulley Mounting Rod

The Super Pulley can be removed from the clamp and used with the Pulley Mounting Rod. The mounting rod fits into the threaded hole on the bottom of the pulley housing.

The Super Pulley and Pulley Mounting Rod can be used with a Photogate Head (ME-9498A) to form a "Smart Pulley".



Technical Support

For assistance with any PASCO product, contact PASCO at:

Address: PASCO scientific
10101 Foothills Blvd.
Roseville, CA 95747-7100

Phone: 916-786-3800 (worldwide)
800-772-8700 (U.S.)

Fax: (916) 786-7565

Web: www.pasco.com

Email: support@pasco.com

Limited Warranty For a description of the product warranty, see the PASCO catalog. **Copyright** The PASCO scientific 012-12559A *Super Pulley Kit Instruction Sheet* reserved. Permission is granted to non-profit educational institutions for reproduction of any part of this manual, providing the reproductions are used only in their laboratories and classrooms, and are not sold for profit. Reproduction under any other circumstances, without the written consent of PASCO scientific, is prohibited. **Trademarks**

scientific, in the United States and/or in other countries. All other brands, products, or service names are or may be trademarks or service marks of, and are used to identify, products or services of, their respective owners. For more information visit www.pasco.com/legal.

For more information about the Super Pulley Kit and the latest revision of this Instruction Sheet, visit:

www.pasco.com/go?ME-9433